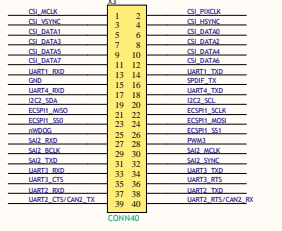
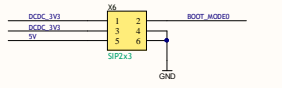
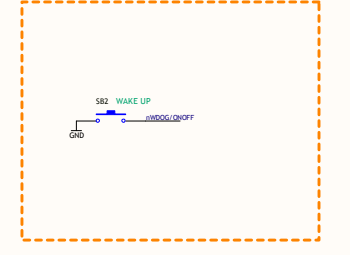
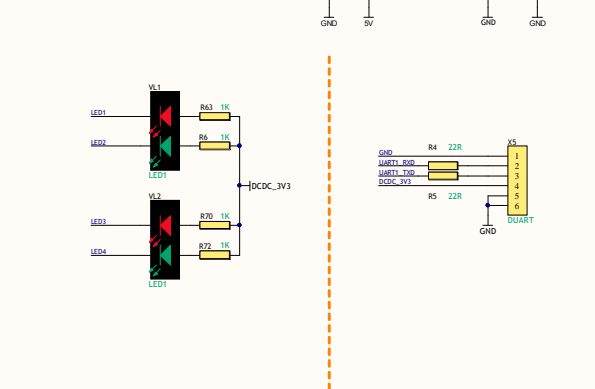
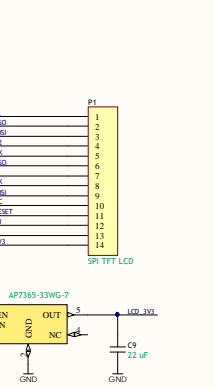
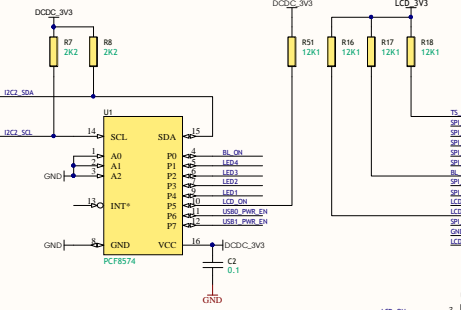
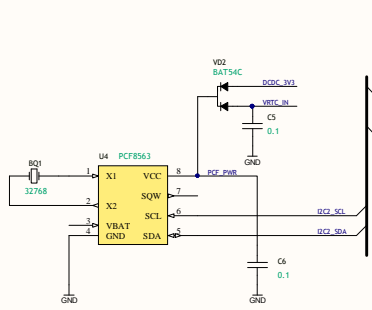


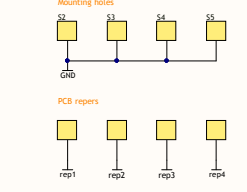
Table of pin definitions for the left side of the board, including signals like CSU_MCLK, CSU_PIMCLK, CSU_VSYNC, CSU_HSINC, CSU_DATA1, CSU_DATA2, CSU_DATA3, CSU_DATA4, CSU_DATA5, CSU_DATA6, CSU_DATA7, CSU_DATA8, CSU_DATA9, CSU_DATA10, CSU_DATA11, CSU_DATA12, CSU_DATA13, CSU_DATA14, CSU_DATA15, CSU_DATA16, CSU_DATA17, CSU_DATA18, CSU_DATA19, CSU_DATA20, CSU_DATA21, CSU_DATA22, CSU_DATA23, CSU_DATA24, CSU_DATA25, CSU_DATA26, CSU_DATA27, CSU_DATA28, CSU_DATA29, CSU_DATA30, CSU_DATA31, CSU_DATA32, CSU_DATA33, CSU_DATA34, CSU_DATA35, CSU_DATA36, CSU_DATA37, CSU_DATA38, CSU_DATA39, CSU_DATA40.

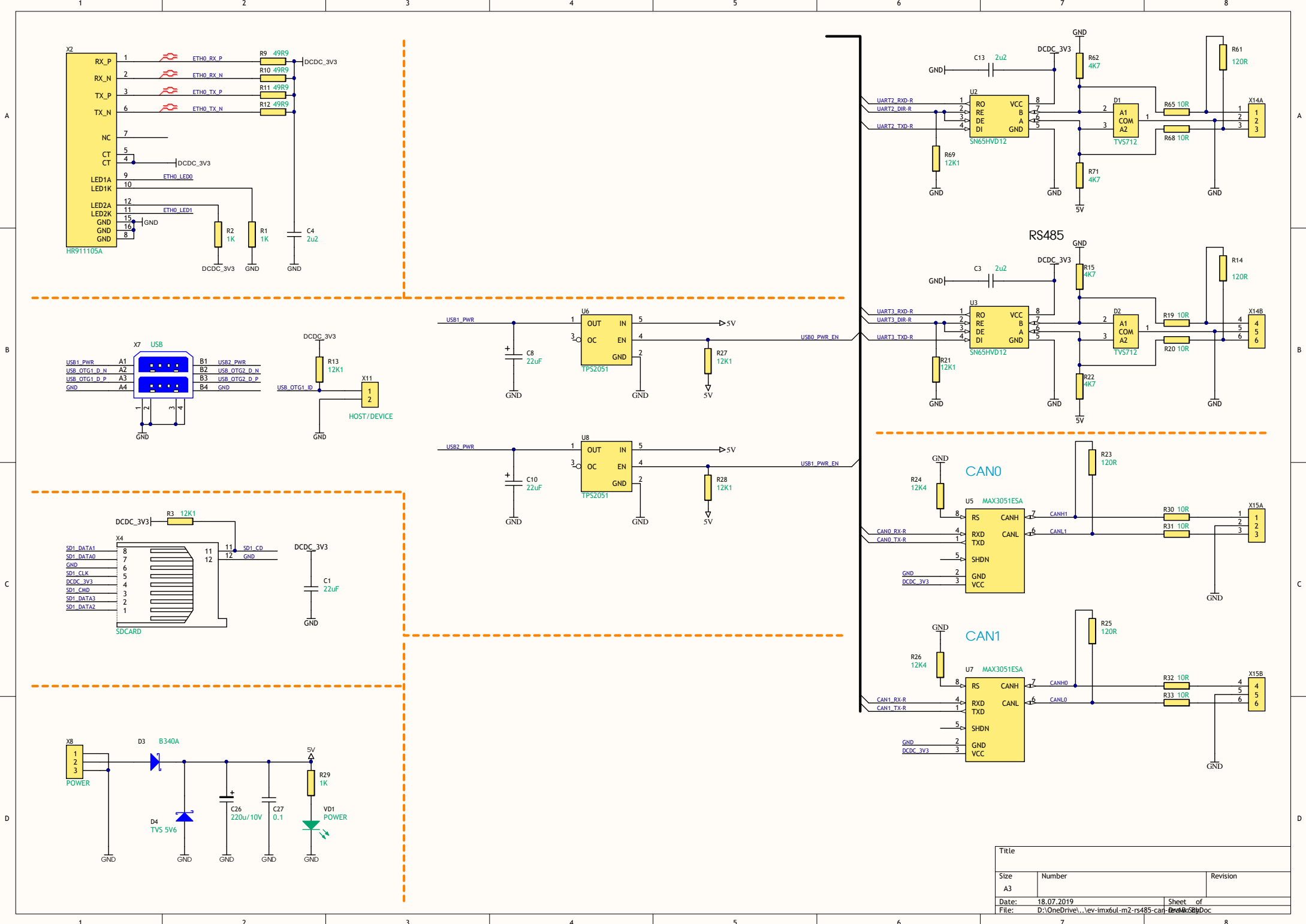
Table of pin definitions for the right side of the board, including signals like UART4_TX, UART4_RX, UART4_TSD, UART4_BSD, UART4_CSD, UART4_DSD, UART4_ESD, UART4_FSD, UART4_GSD, UART4_HSD, UART4_ISD, UART4_JSD, UART4_KSD, UART4_LSD, UART4_MSD, UART4_NSD, UART4 OSD, UART4_PSD, UART4_QSD, UART4_RSD, UART4_TSD, UART4_USD, UART4_VSD, UART4_WSD, UART4_XSD, UART4_YSD, UART4_ZSD, UART4_0SD, UART4_1SD, UART4_2SD, UART4_3SD, UART4_4SD, UART4_5SD, UART4_6SD, UART4_7SD, UART4_8SD, UART4_9SD, UART4_0A, UART4_0B, UART4_0C, UART4_0D, UART4_0E, UART4_0F, UART4_0G, UART4_0H, UART4_0I, UART4_0J, UART4_0K, UART4_0L, UART4_0M, UART4_0N, UART4_0O, UART4_0P, UART4_0Q, UART4_0R, UART4_0S, UART4_0T, UART4_0U, UART4_0V, UART4_0W, UART4_0X, UART4_0Y, UART4_0Z.

- USB_VREG1_D_N
- USB_VREG1_P
- USB_OTG10_D_N
- USB_OTG10_P
- ETH0_RX_P
- ETH0_RX_N
- DCDC_V3V
- ETH0_TX_P
- ETH0_TX_N
- ETH0_LED0
- ETH0_LED1

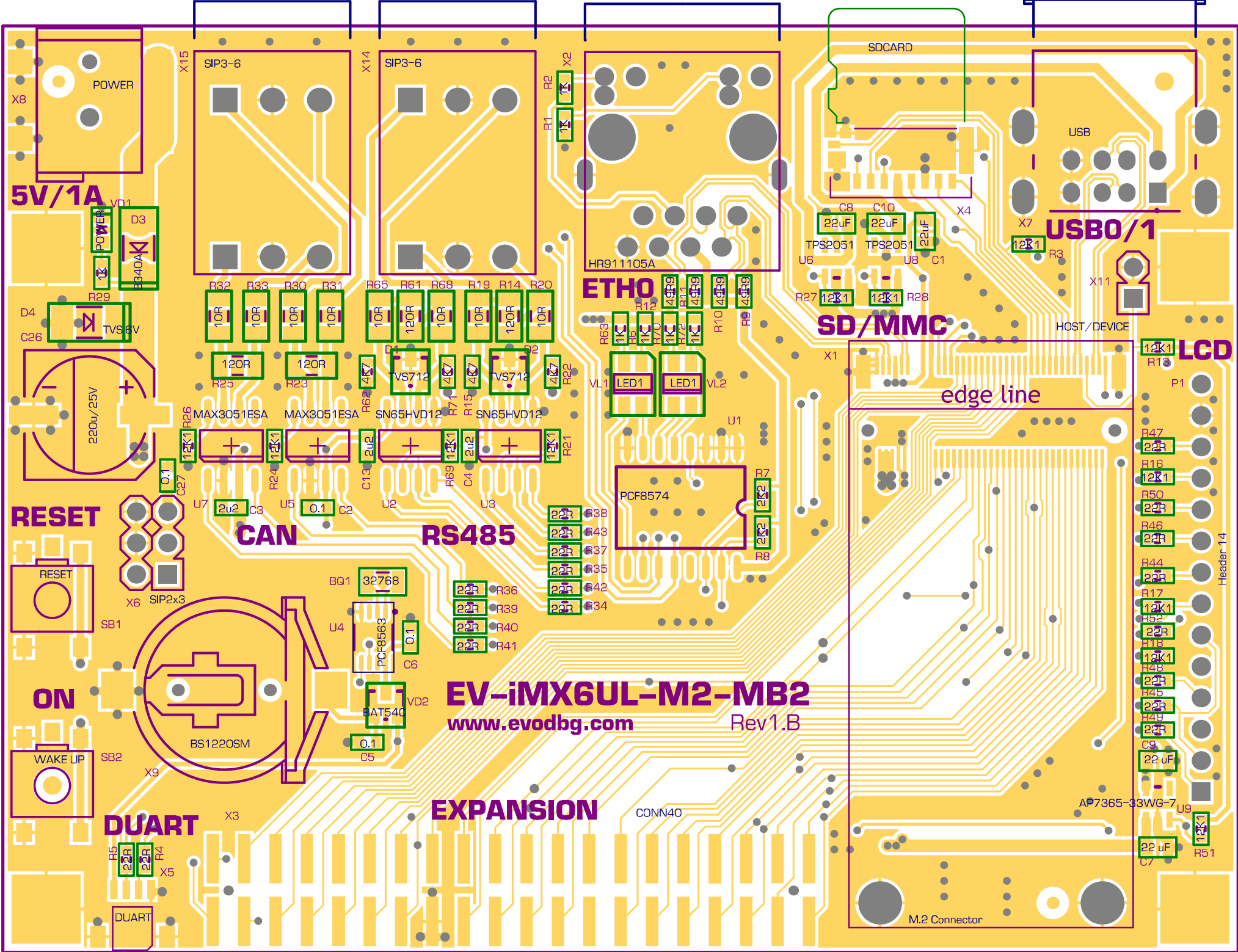


100 x 75 mm, FR-4m 1.6 mm, 2 layer





Title		
Size	Number	Revision
A3		
Date:	18.07.2019	Sheet of
File:	D:\OneDrive\...lev-imx6ul-m2-rs485-can- ...	Doc



5V/1A

ETHO

SD/MMC

USB0/1

LCD

RESET

CAN

RS485

EV-iMX6UL-M2-MB2

www.evodbg.com

Rev1.B

EXPANSION

DUART

M.2 Connector

Header 1-4

AP7365-33WG-7

22R

22R

22R

22R

22R

22R

22R

22R

22R

22R

22R

22R

22R

22R

22R

22R

22R

22R

22R

22R

22R

22R

22R

22R

22R

22R

22R

22R

22R

22R

22R

22R

22R

22R

22R

22R

22R

22R

22R

22R

22R

22R

22R

22R

22R

22R

22R

22R

22R

22R

22R

22R

22R

22R

22R

22R

22R

22R

22R

22R

22R

22R

22R

22R

22R

22R

22R

22R

22R

22R

22R

22R

22R

22R

22R

22R

22R

22R