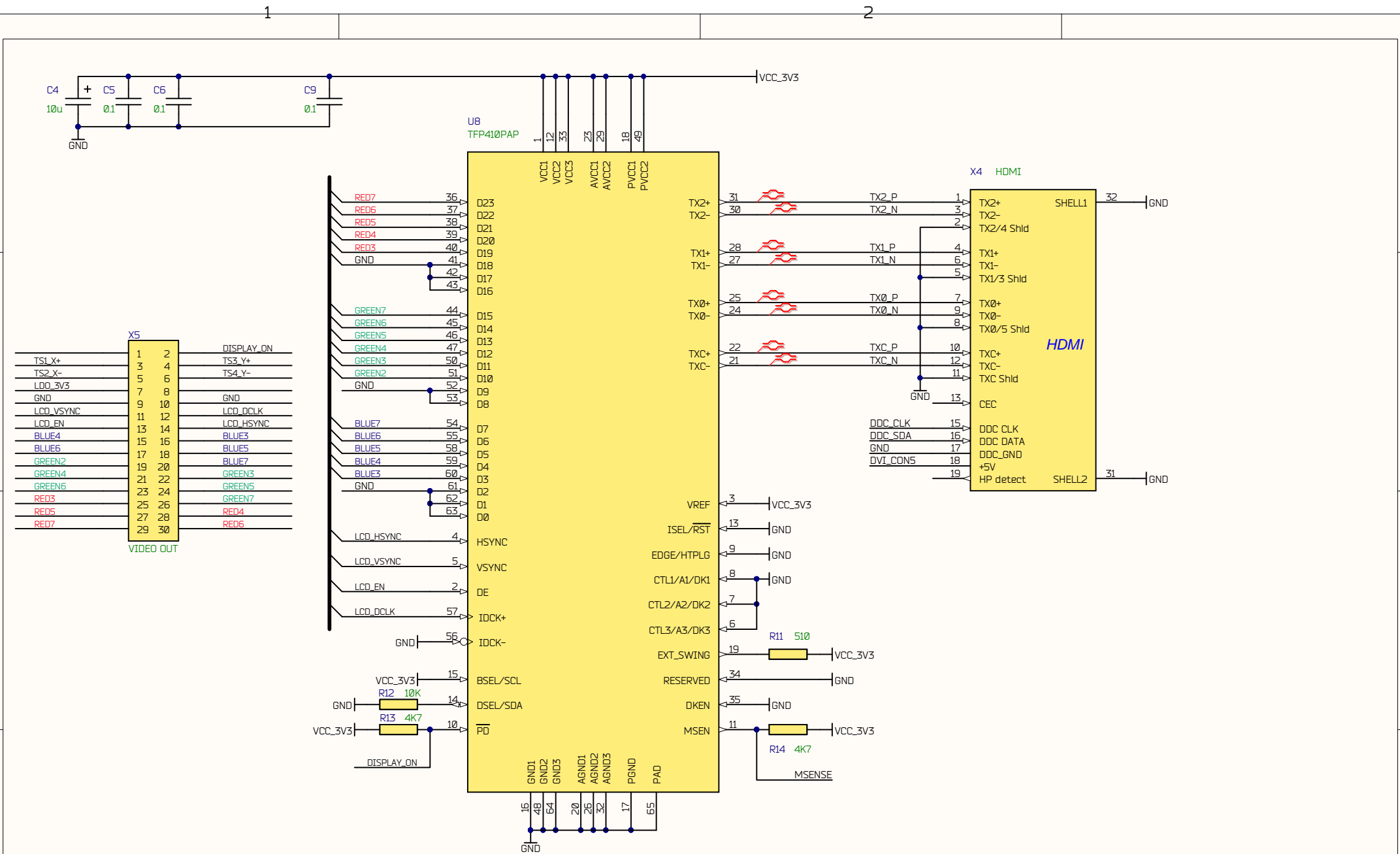


Title		
Size: A4	Number:	Revision:
Date: 21.02.2013	Time: 13:57:05	Sheet of
File: D:\My_work\Sch\EV-IMX287\evimx287_sim900.SchDoc		





Title		
Size: A4	Number:	Revision:
Date: 21.02.2013	Time: 14:00:25	Sheet of
File: D:\My_work\Sch\EV-IMX287\Rev2\evimx287_hdmi.SchDoc		

