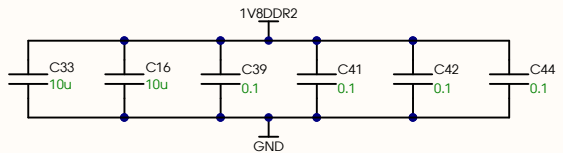


ClassName: DDR2
i
DDR2

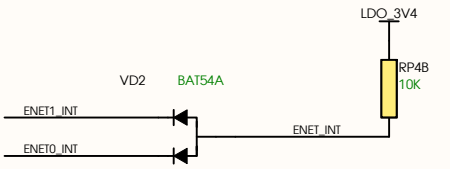
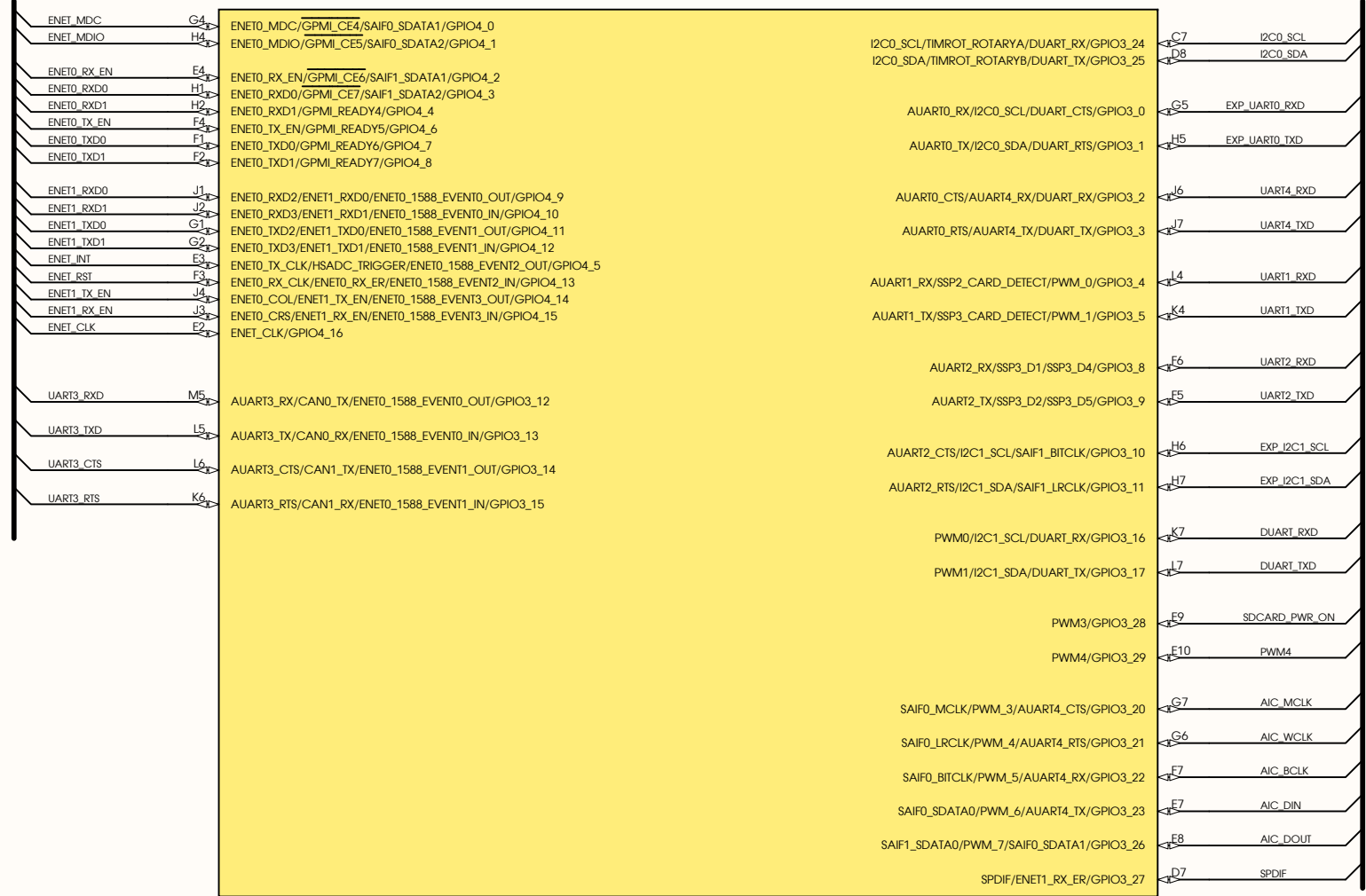


pcb@evodbg.com

Title EV-IMX287-MINI		
Size: A4	Number:	Revision: rev.1.1
Date: 12.08.2013	Time: 10:39:20	Sheet of
www.evodbg.com		



U4C IMX287



pcb@evodbg.com

Title		EV-iMX287-MINI	
Size: A4	Number:	Revision: rev.1.1	
Date: 12.08.2013	Time: 10:40:51	Sheet of	
www.evodbg.com			

A

A

B

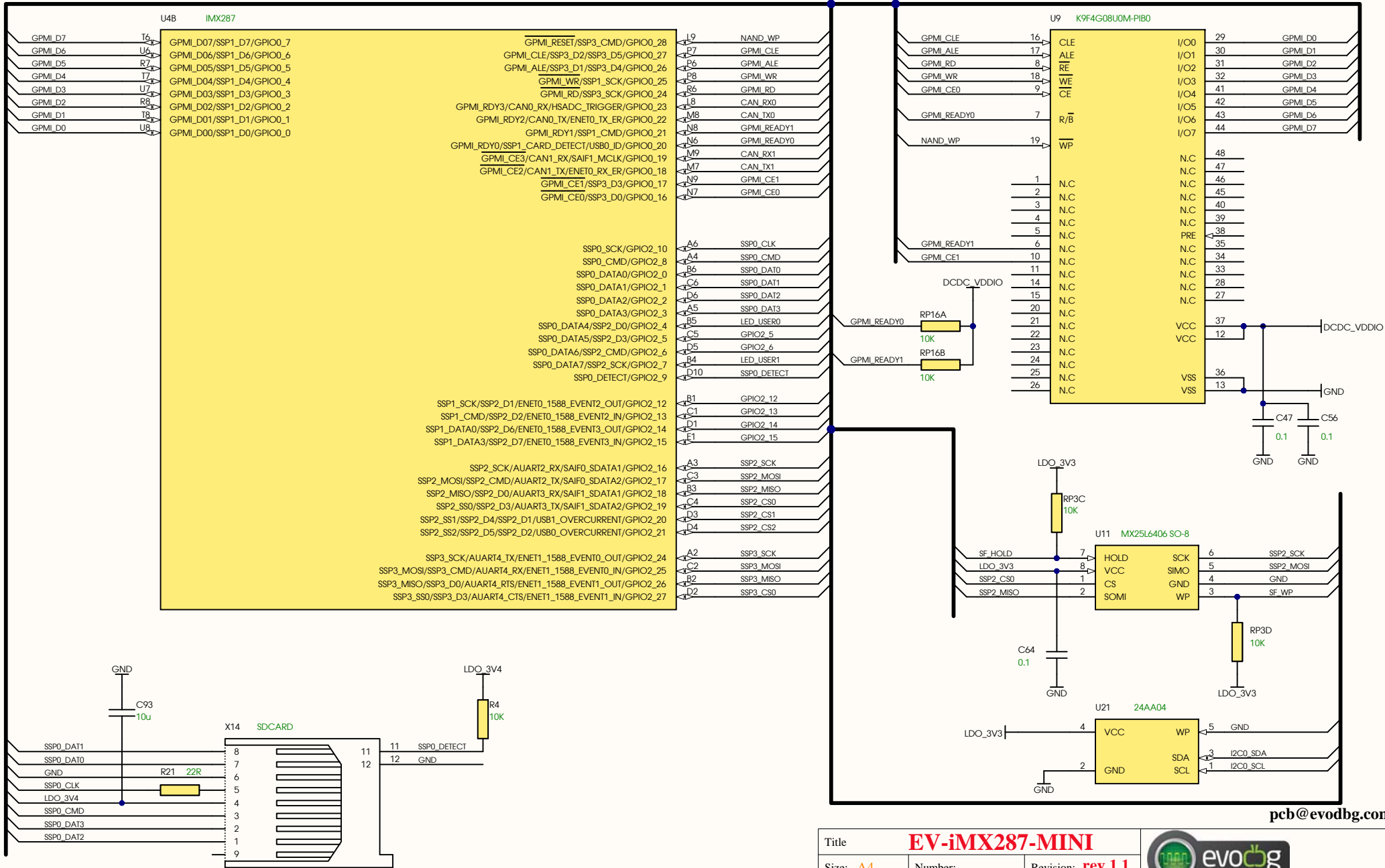
B

C

C

D

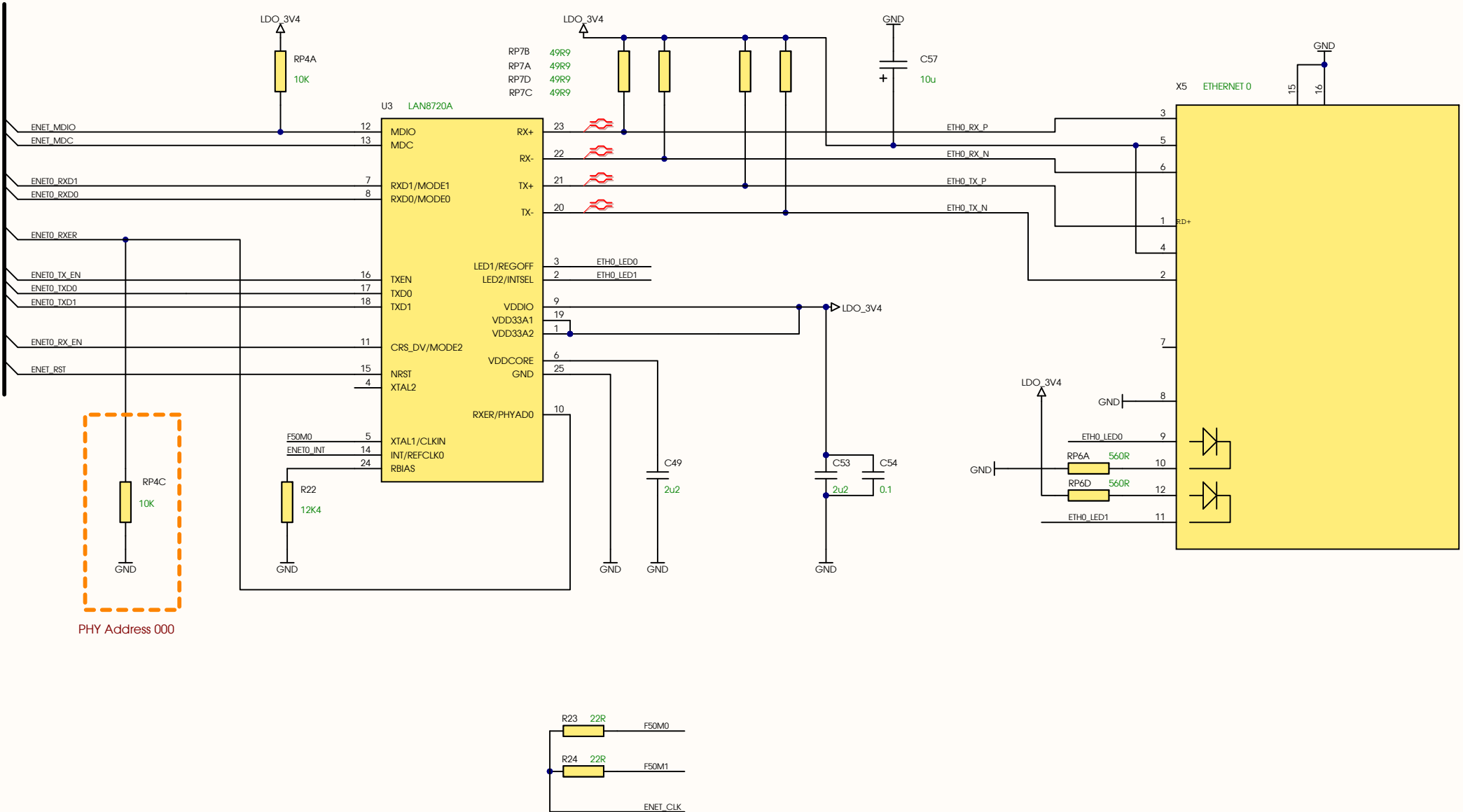
D



pcb@evodbg.com

Title EV-iMX287-MINI		
Size: A4	Number:	Revision: rev.1.1
Date: 12.08.2013	Time: 10:40:12	Sheet of
www.evodbg.com		



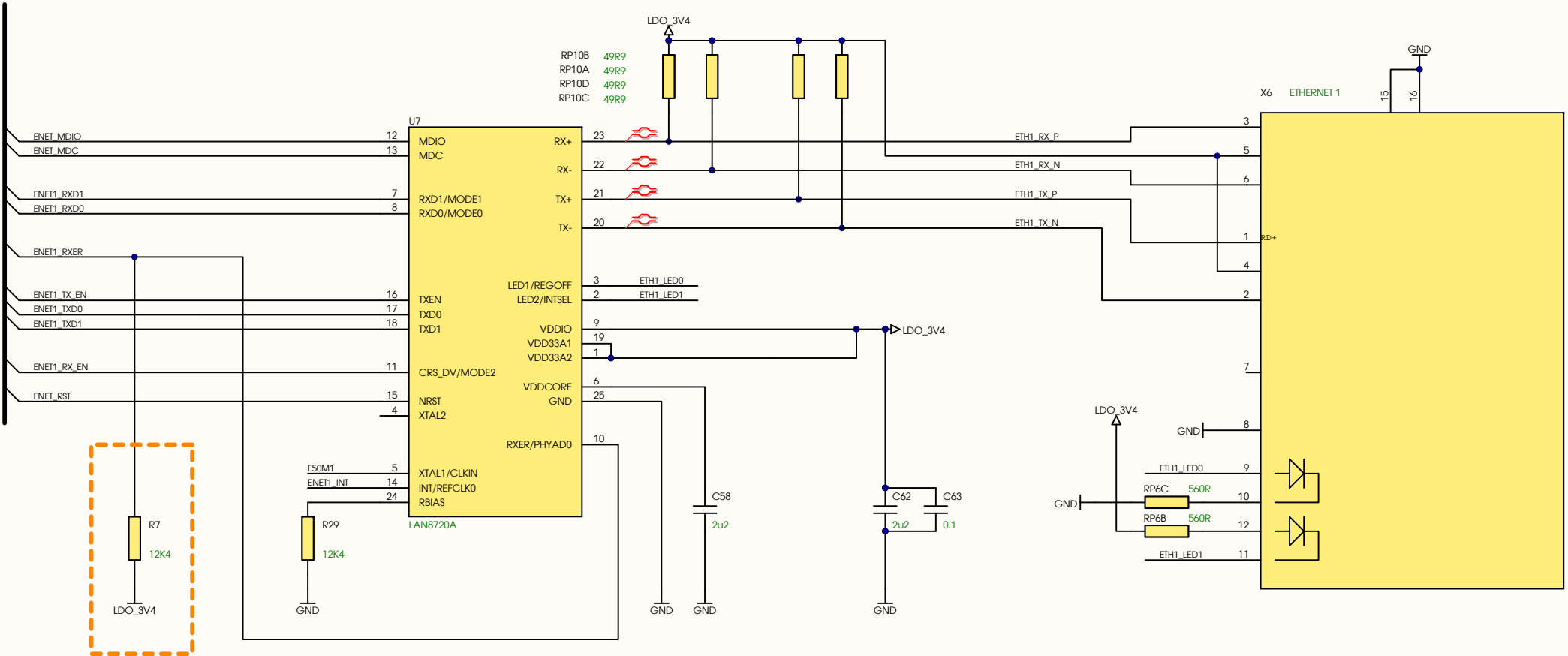


PHY Address 000

pcb@evodbg.com

Title		EV-iMX287-MINI	
Size: A4	Number:	Revision: rev.1.1	
Date: 12.08.2013	Time: 10:42:16	Sheet of	
www.evodbg.com			





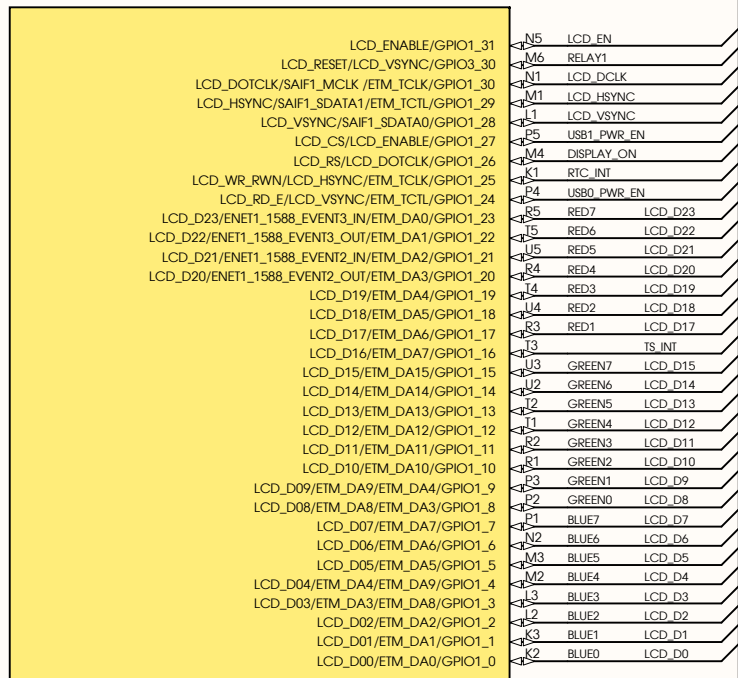
R7
12K4
LDO_3V4
PHY Address 001

pcb@evodbg.com

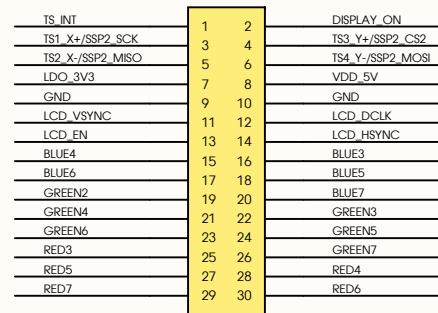
Title EV-iMX287-MINI		
Size: A4	Number:	Revision: rev.1.1
Date: 12.08.2013	Time: 10:42:36	Sheet of
www.evodbg.com		



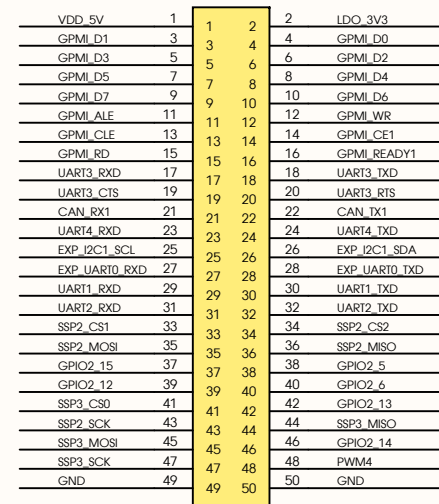
U4D IMX287



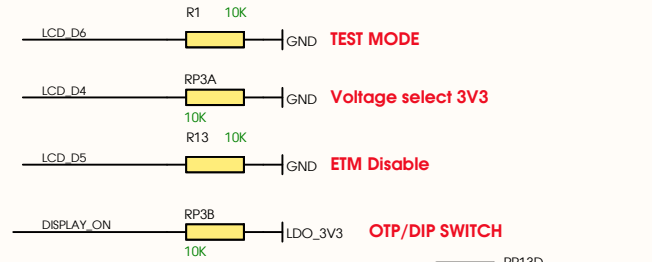
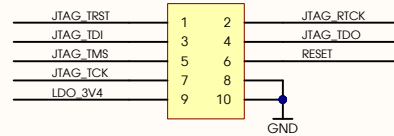
X15 VIDEO OUT



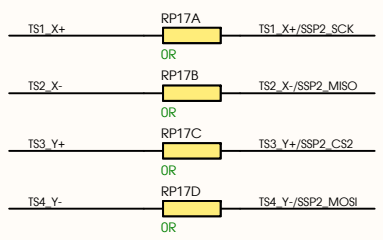
X3 EXTERNAL



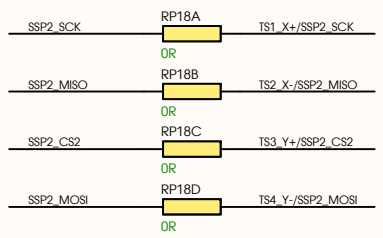
X18 JTAG



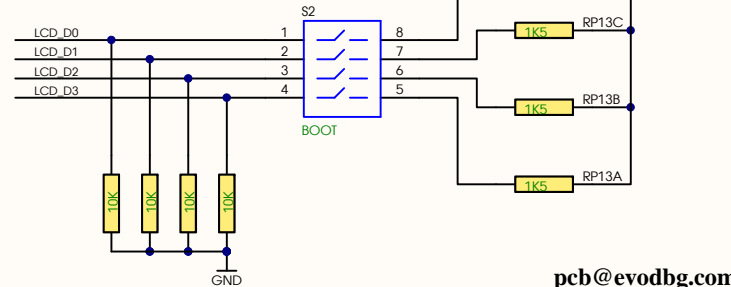
LRADC Touch Screen Based



TSC2046 Touch Screen Based



DNP



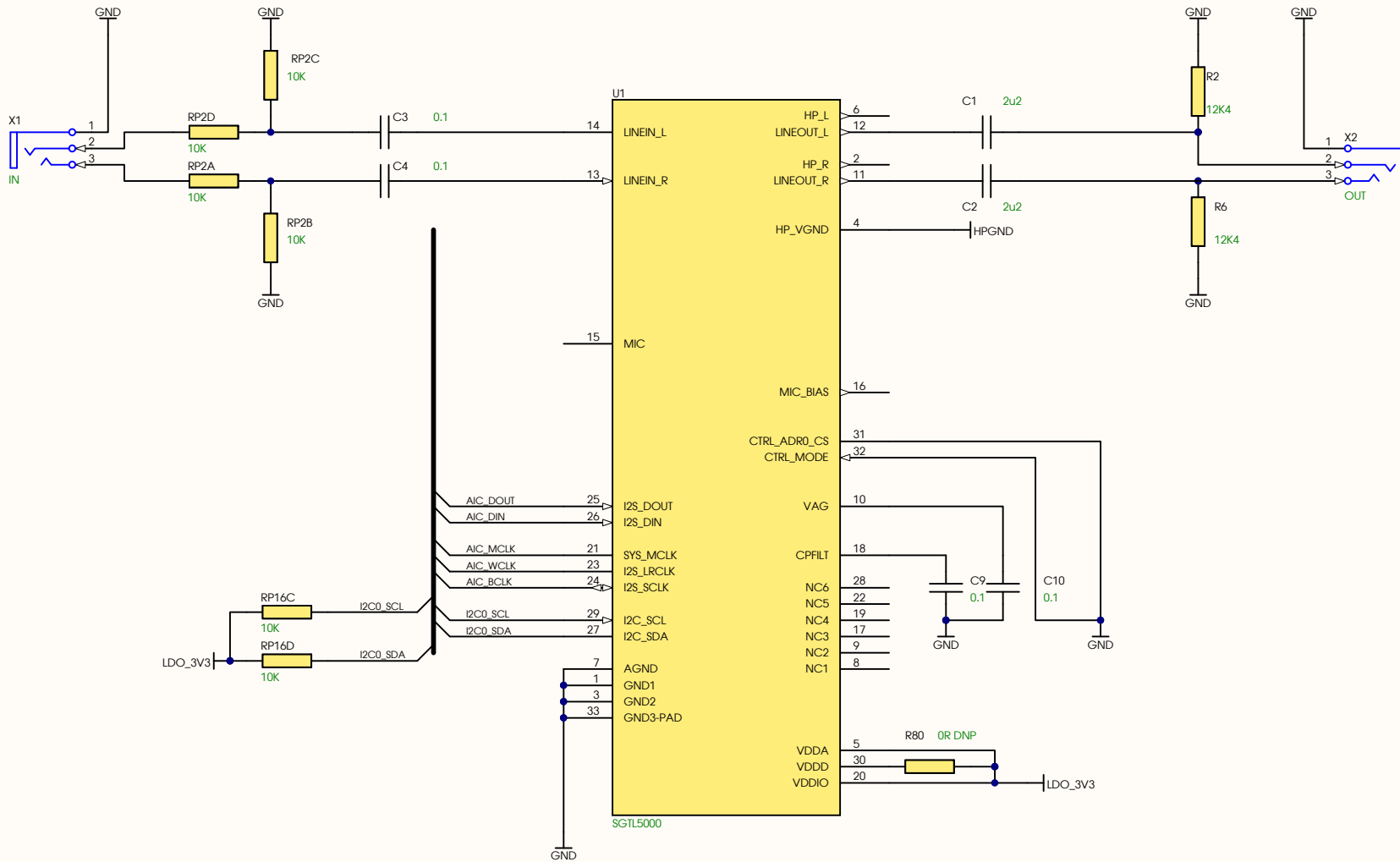
Title: **EV-iMX287-MINI**


Size: A4 Number: Revision: rev.1.1

Date: 12.08.2013 Time: 10:50:02 Sheet of

www.evodbg.com

pcb@evodbg.com



Title			
Size: A4	Number:	Revision:	
Date: 12.08.2013	Time: 10:45:46	Sheet of	
www.evodbg.com			

1

2

3

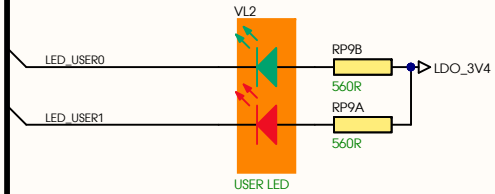
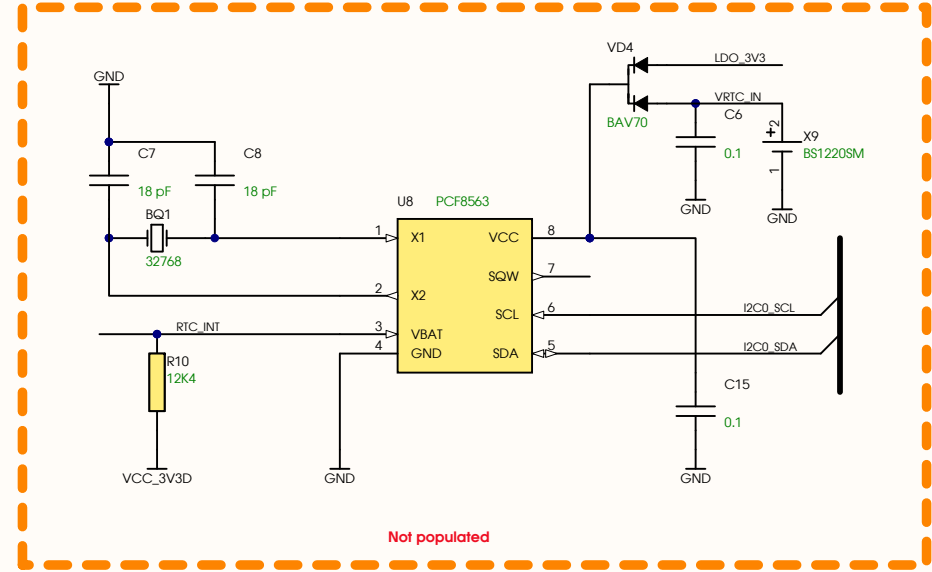
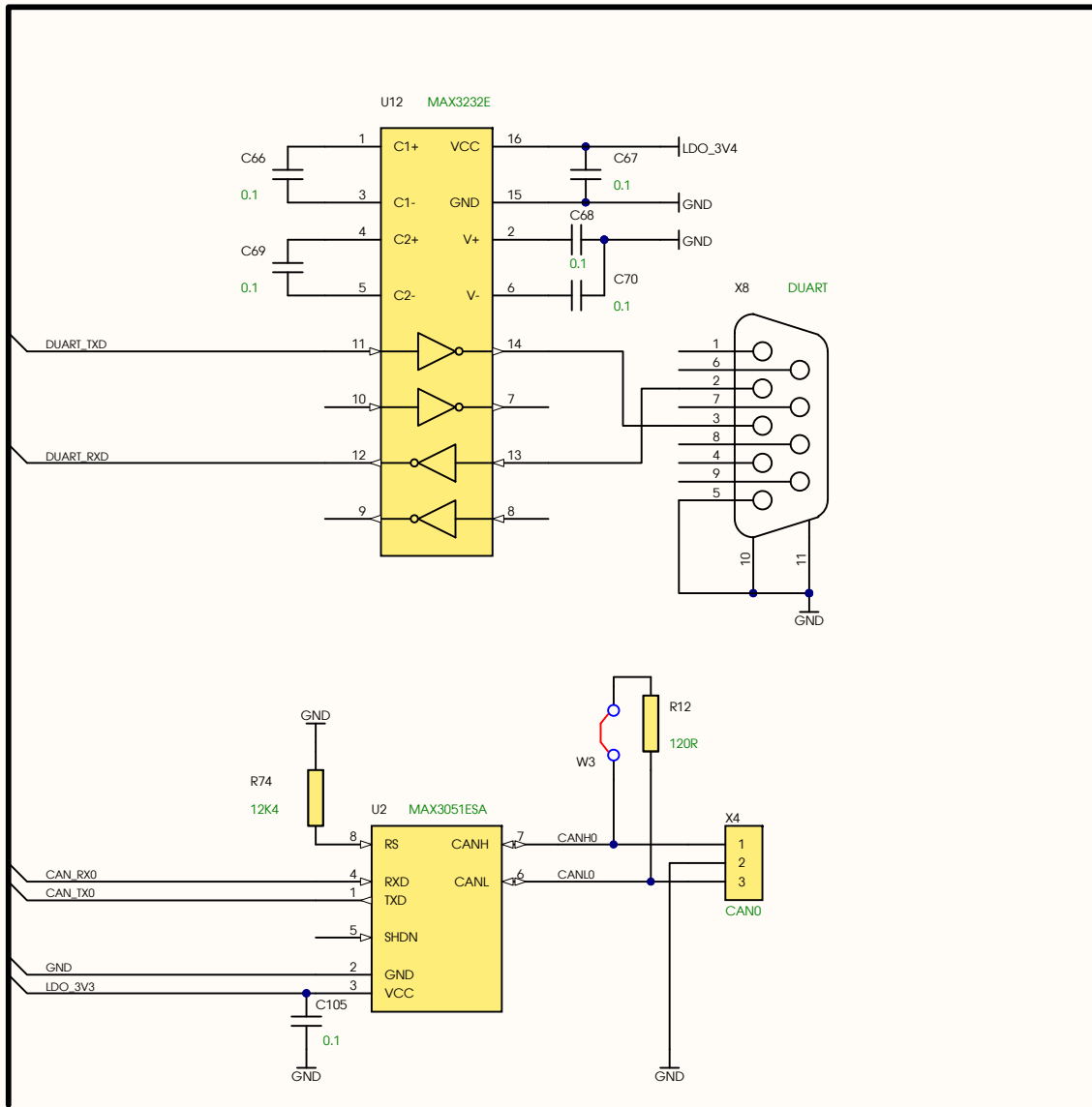
4

1

2

3

4



pcb@evodbg.com

Title EV-iMX287-MINI		
Size: A4	Number:	Revision: rev.1.1
Date: 12.08.2013	Time: 10:43:05	Sheet of
www.evodbg.com		



1

2

3

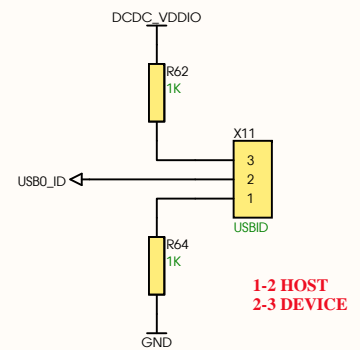
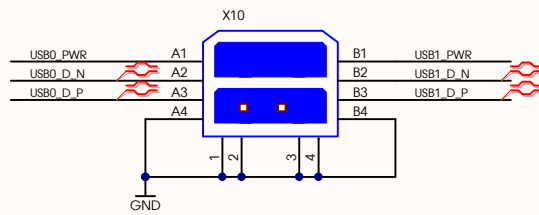
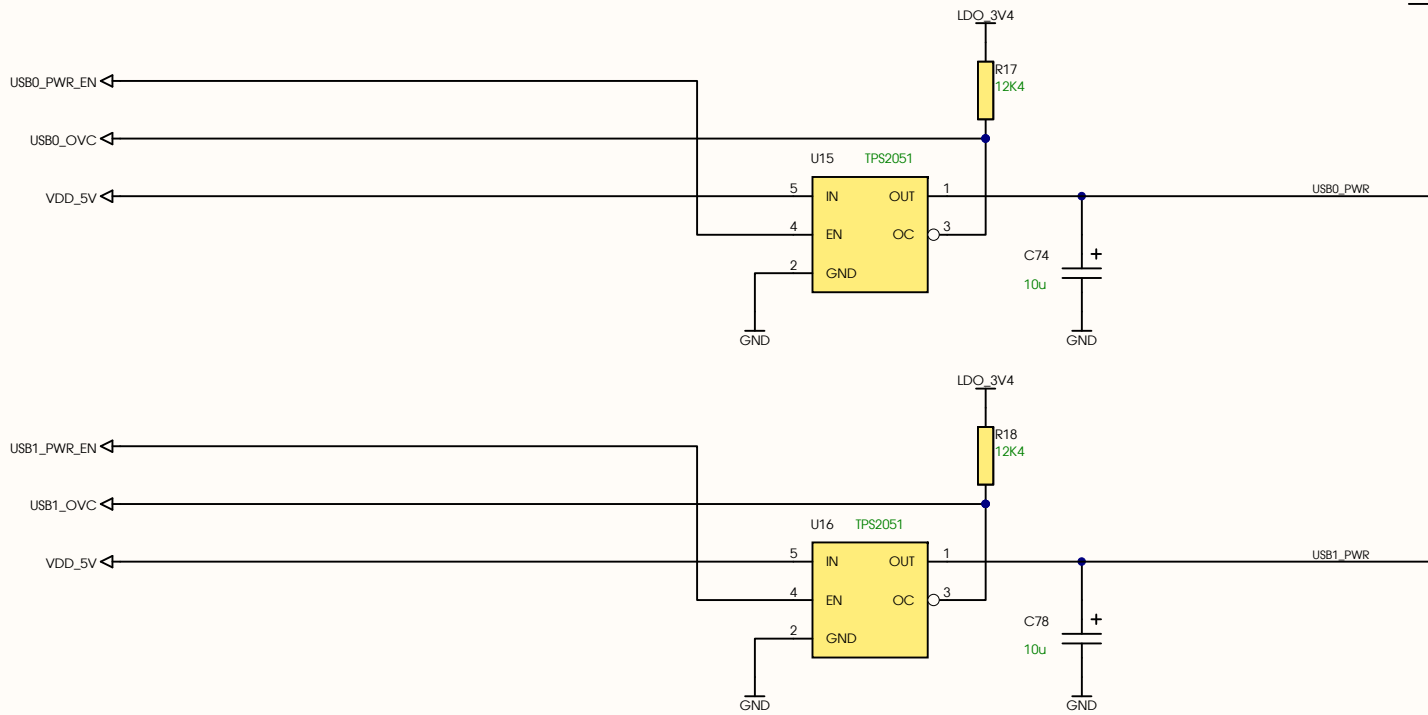
4

1

2

3

4



pcb@evodbg.com

Title EV-iMX287-MINI		
Size: A4	Number:	Revision: rev.1.1
Date: 12.08.2013	Time: 10:43:29	Sheet of
www.evodbg.com		



1

2

3

4

1

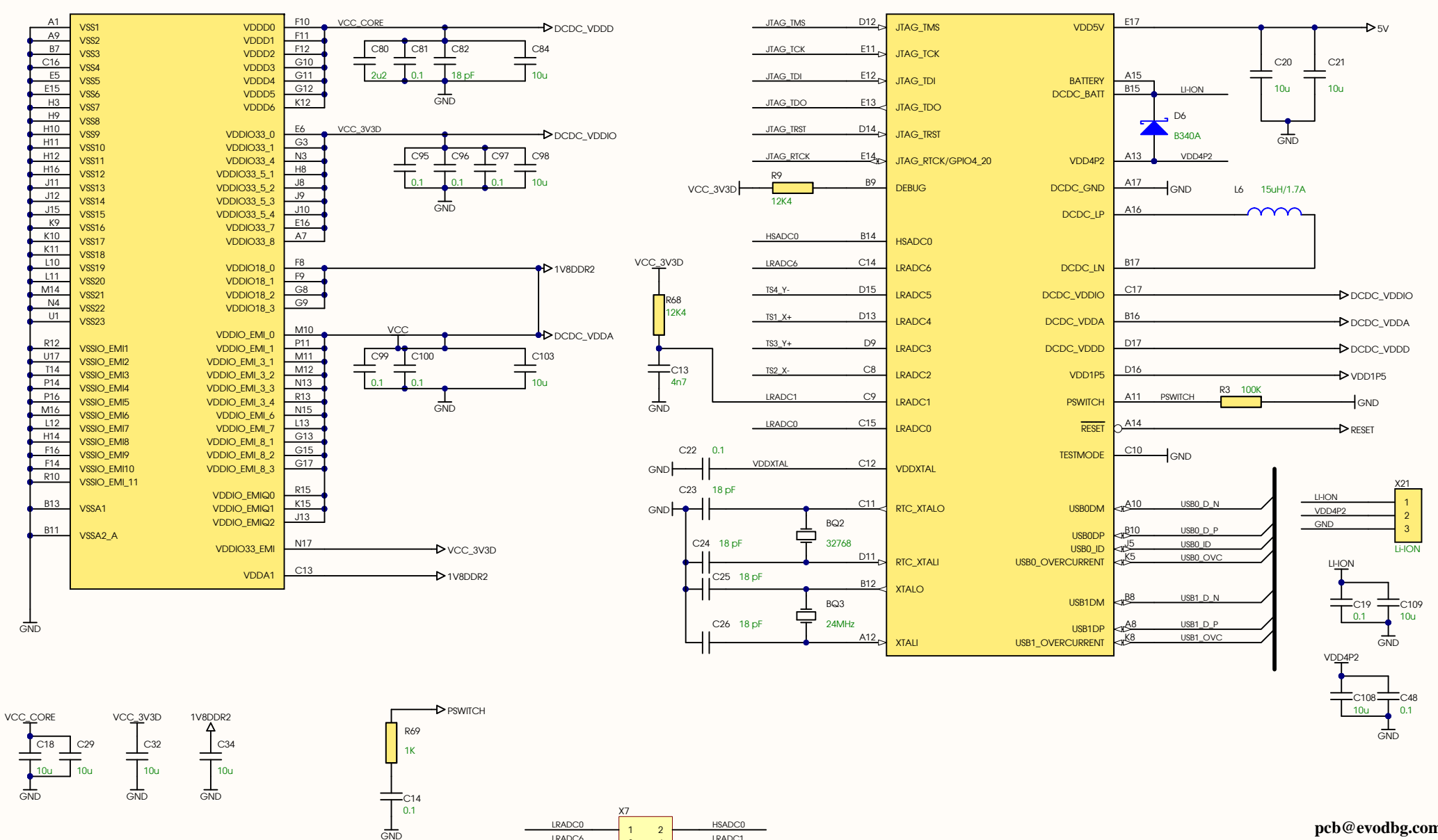
2

3

4

U4F IMX287

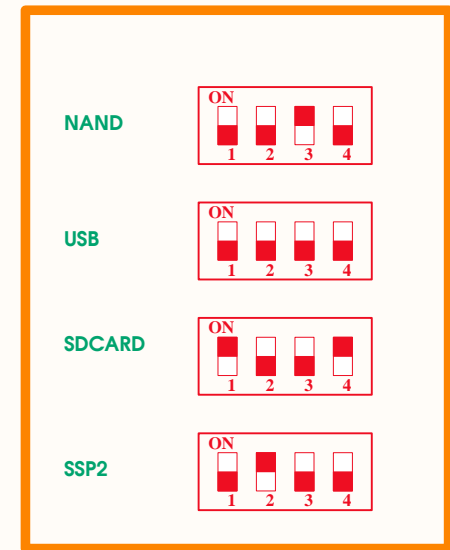
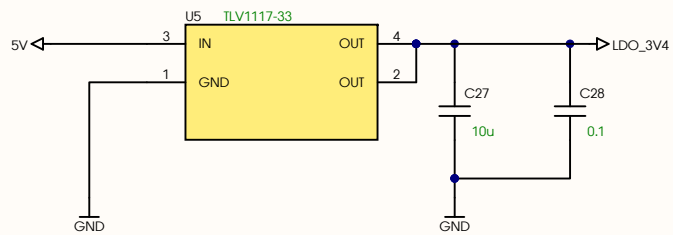
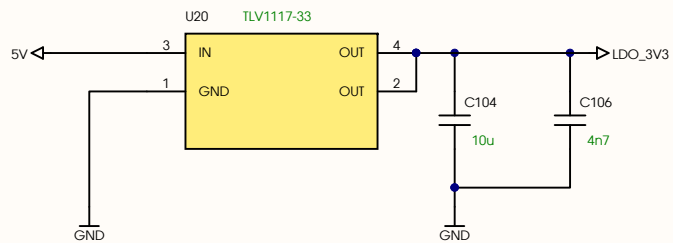
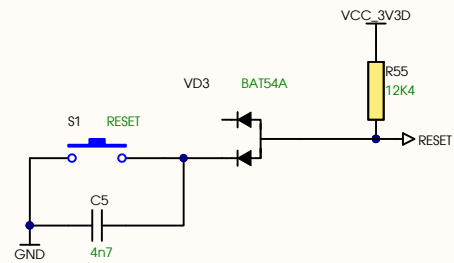
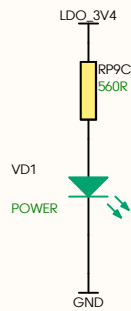
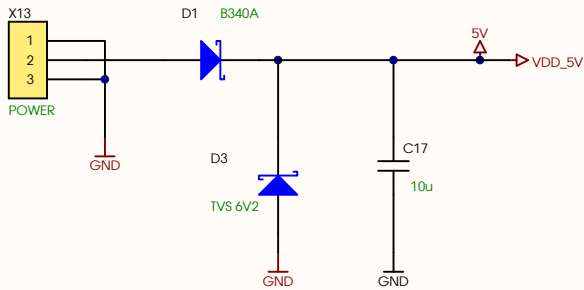
U4E IMX287



pcb@evodbg.com

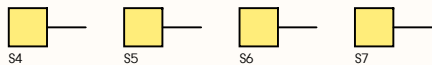
Title EV-iMX287-MINI		
Size: A4	Number:	Revision: rev.1.1
Date: 12.08.2013	Time: 10:44:50	Sheet of
www.evodbg.com		





BOOT Mode

pcb@evodbg.com



Title EV-iMX287-MINI		
Size: A4	Number:	Revision: rev.1.1
Date: 12.08.2013	Time: 10:44:21	Sheet of
www.evodbg.com		

