

A

B

C

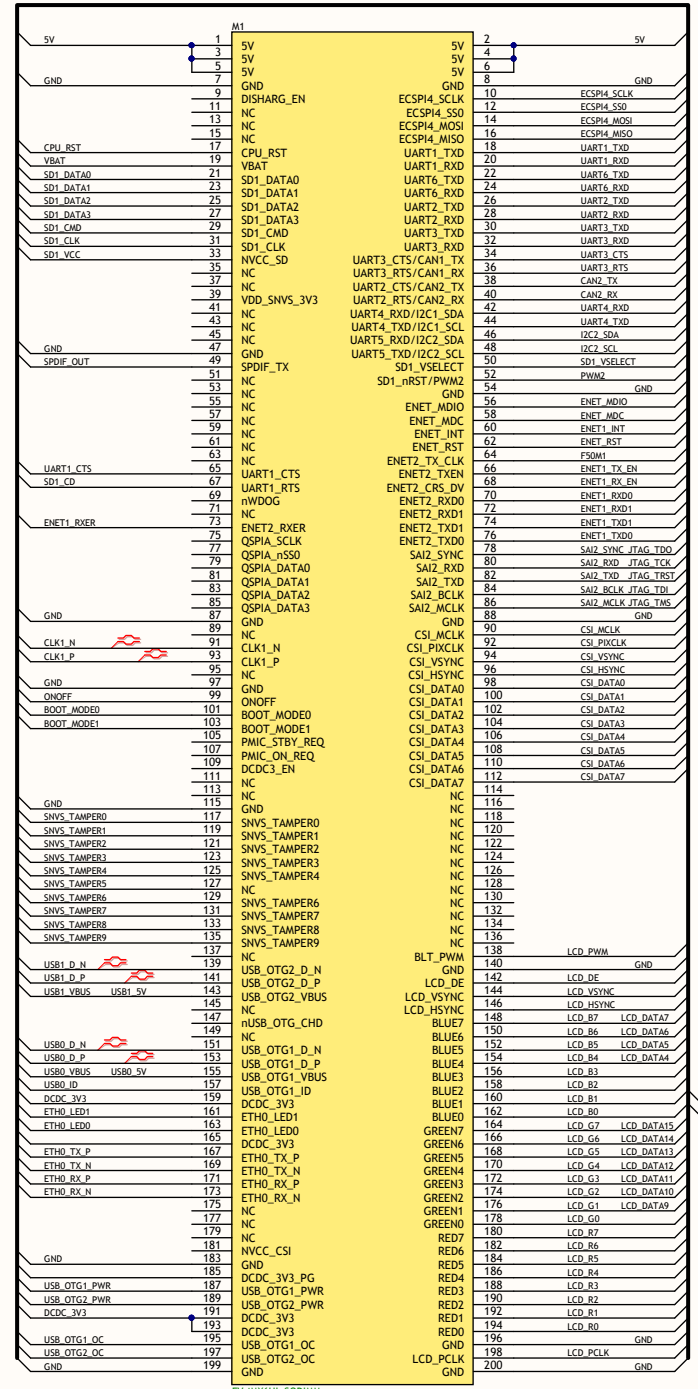
D

A

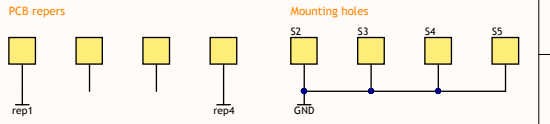
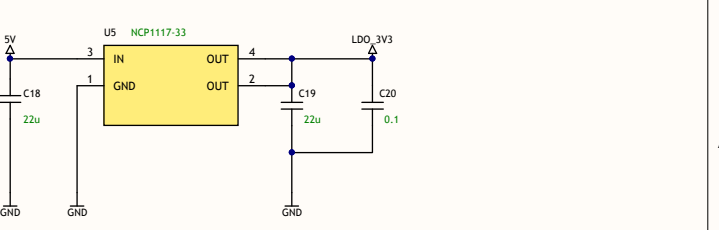
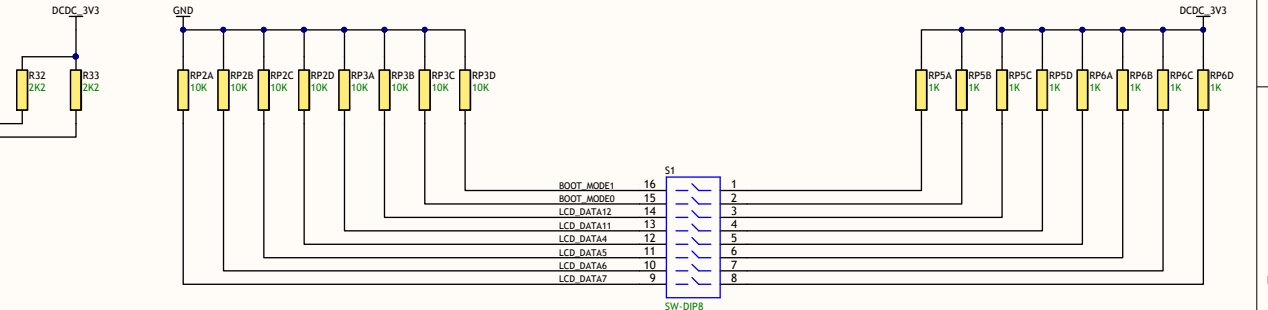
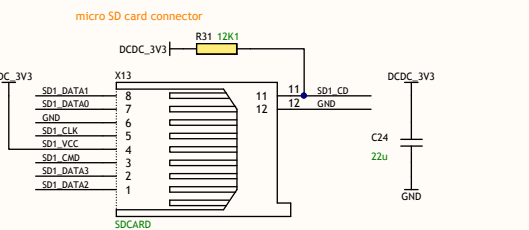
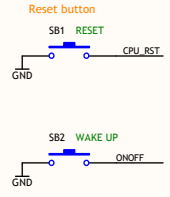
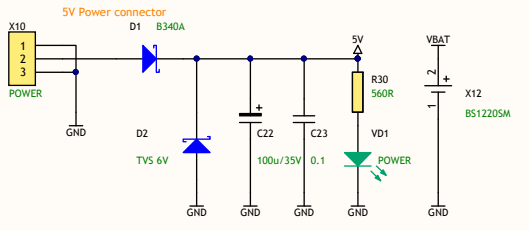
B

C

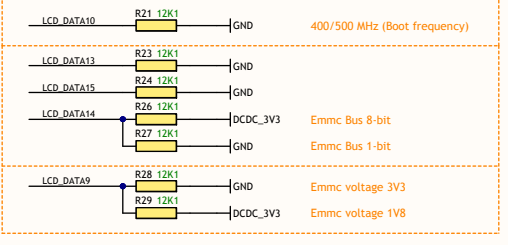
D



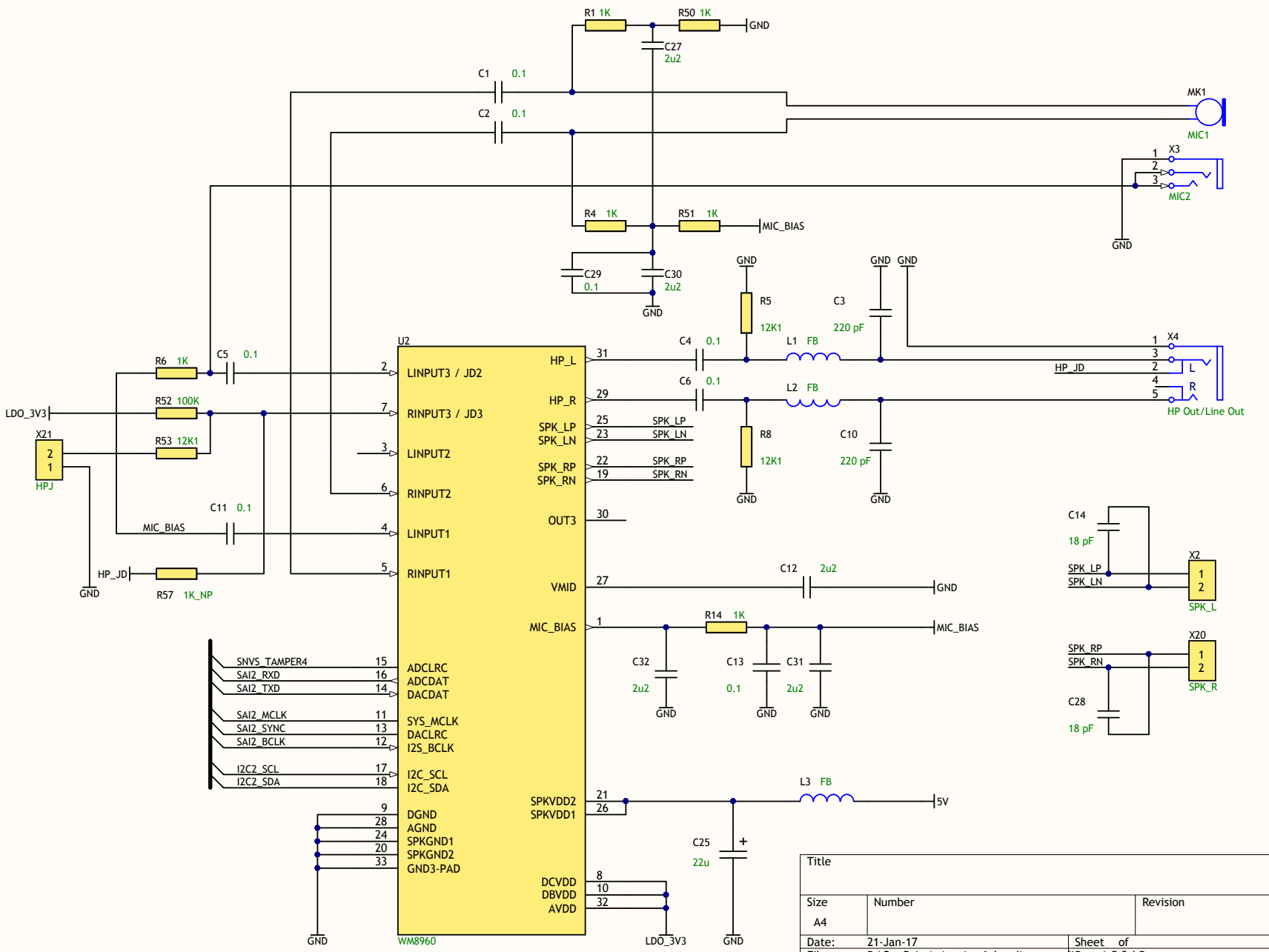
EV-IMX6UL-SODIMM



BOOT SOURCE	SW1	SW2	SW3	SW4	SW5	SW6	SW7	SW8
QSPI	ON	OFF	OFF	OFF	ON	OFF	OFF	OFF
NAND	ON	OFF	OFF	OFF	OFF	OFF	OFF	OFF
SD1	ON	OFF	OFF	OFF	OFF	ON	ON	OFF
SD2	ON	OFF	OFF	ON	OFF	OFF	ON	OFF
BOOT FROM FUSES	OFF	OFF						
MFGTOOL BOOT	OFF	ON						



Title		
Size	Number	Revision
A3		
Date:	21-Jan-17	Sheet of
File:	D:\OneDrive\lev-imx6ul-sodimm-mod\Brawri B\SchDoc	



Title		
Size	Number	Revision
A4		
Date:	21-Jan-17	Sheet of
File:	D:\OneDrive\...lev-imx6ul-sodimm-audio\Drawn By SchDoc	

1

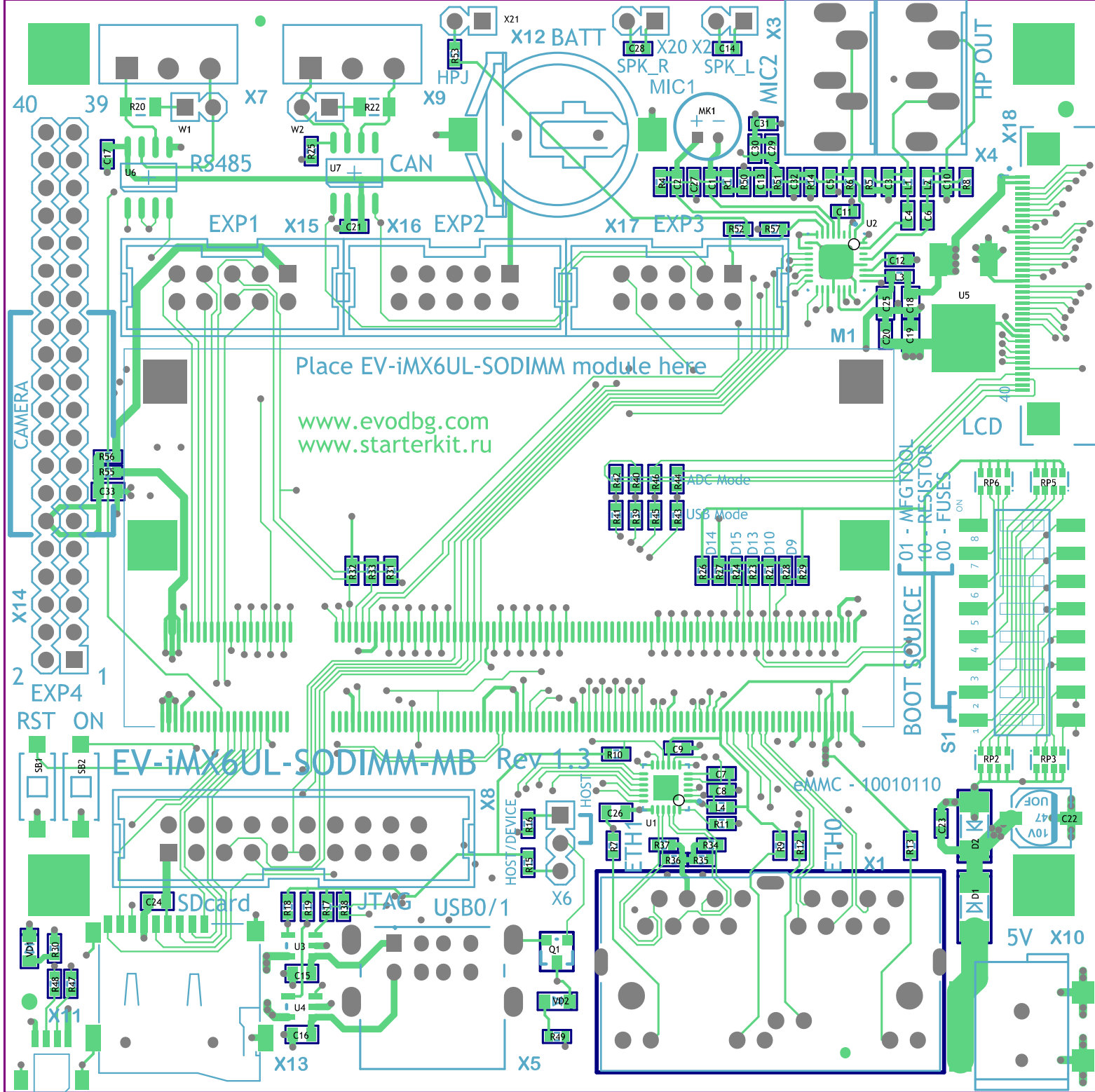
2

3

4

A
B
C
D

A
B
C
D



Place EV-iMX6UL-SODIMM module here

www.evodbg.com
www.starterkit.ru

EV-iMX6UL-SODIMM-MB Rev 1.3

BOOT SOURCE [01 - MFG TOOL
10 - RESISTOR
00 - FUSES]

eMMC - 10010110

5V X10

CAMERA

X14

EXP4
RST ON

40

39

EXP1

EXP2

EXP3

HP OUT

LCD

ADC Mode

USB Mode

00 - FUSES

01 - MFG TOOL

10 - RESISTOR

eMMC - 10010110

5V X10

40

39

EXP1

EXP2

EXP3

HP OUT

LCD

ADC Mode

USB Mode

00 - FUSES

01 - MFG TOOL

10 - RESISTOR

eMMC - 10010110

5V X10

40

39

EXP1

EXP2

EXP3

HP OUT

LCD

ADC Mode

USB Mode

00 - FUSES

01 - MFG TOOL

10 - RESISTOR

eMMC - 10010110

5V X10

